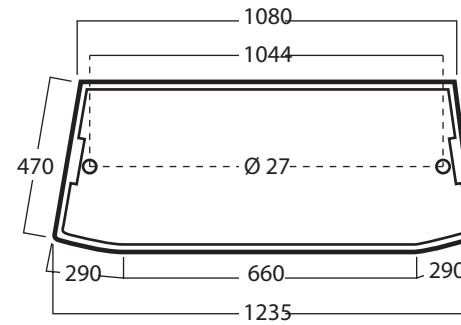


Weights in Kg

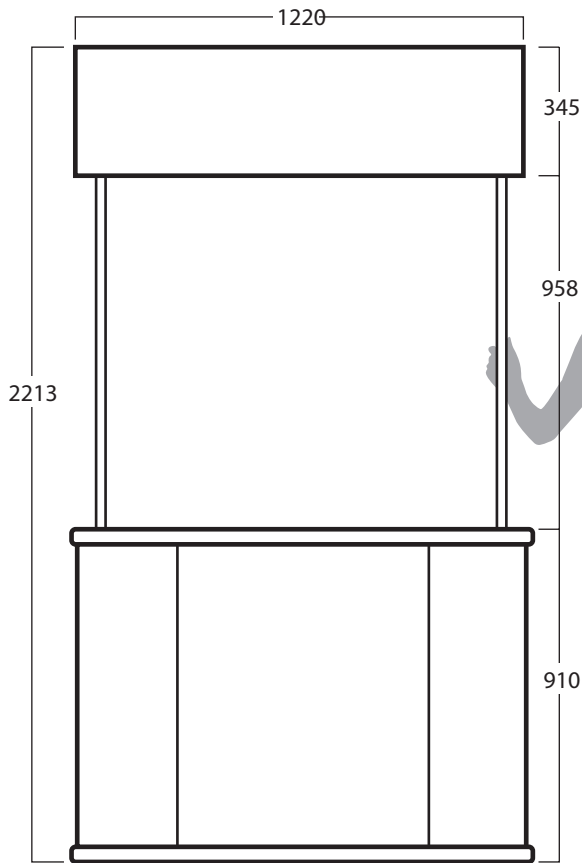
Top.....	2.14
Shelf.....	1.75
Bottom.....	1.40
Body Panel.....	5.63
Pole Set (four pieces).D.....	2.12
Header.....	0.96
Round Tray.....	0.95
Bag.....	1.70

Packaging in Kg

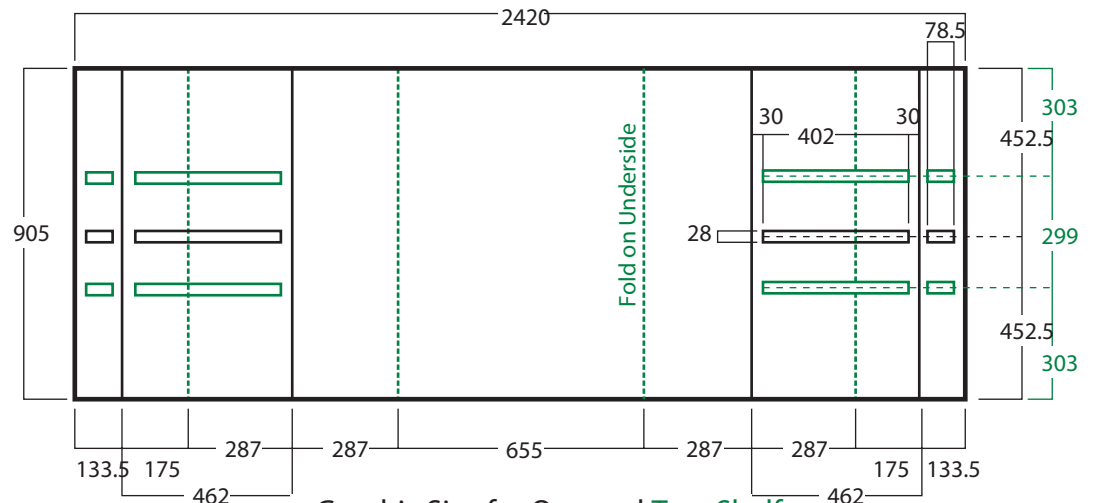
Individual reusable carton.....	2.2
External size: 1295(w) x 675(d) x 135mm(h)	
Second Shelf carton.....	0.85
External size: 1255(w) x 530(d) x 45mm(h)	
Round Tray carton.....	0.45
External size: 523 (w) x 523 (d) x 83mm(h)	



Top

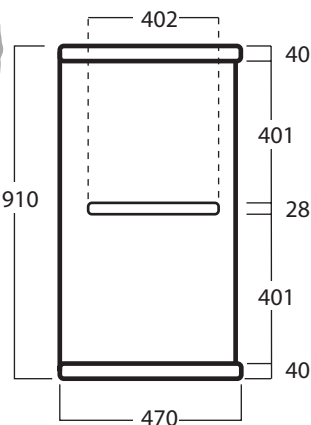


Unit and Header

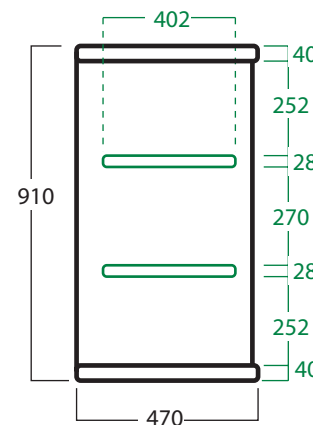


Graphic Size for One and Two Shelf

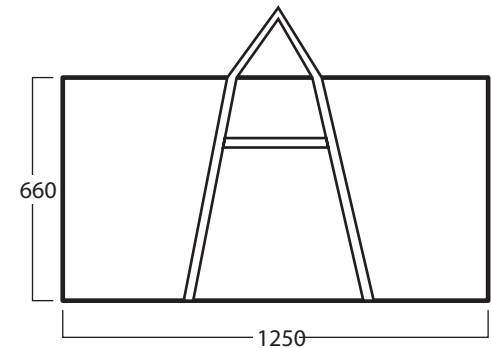
Allow 37.5mm for top and bottom



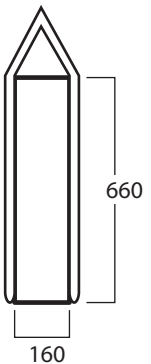
Side - One Shelf



Side Two Shelves



Carry Bag



160