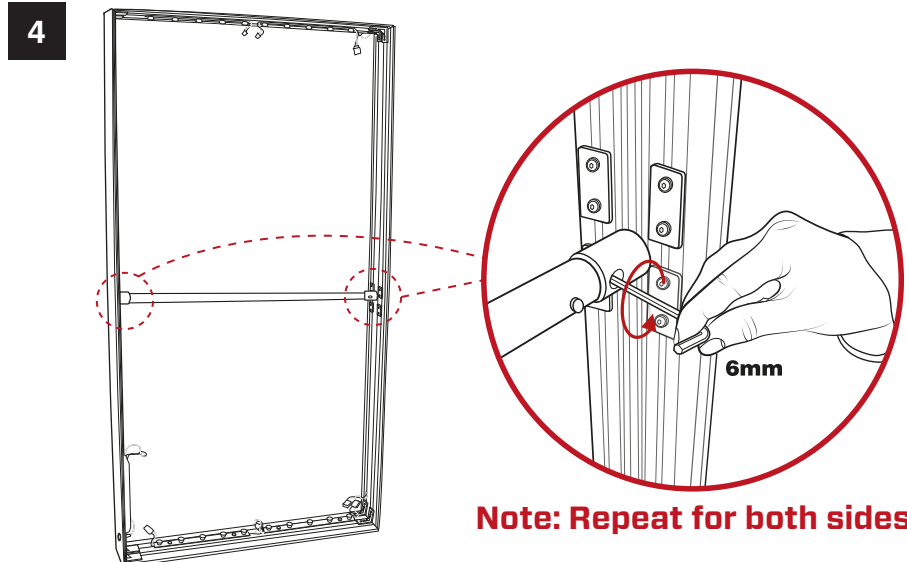
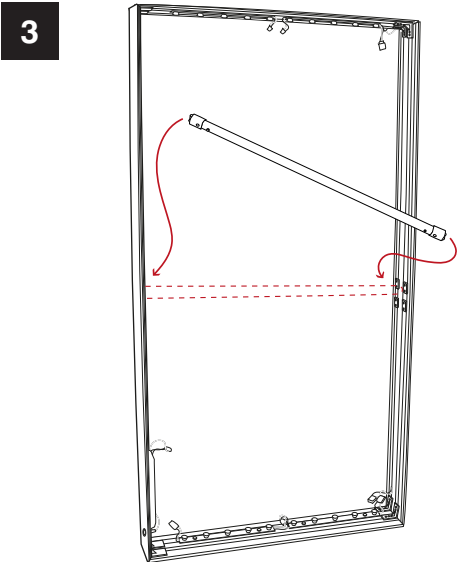
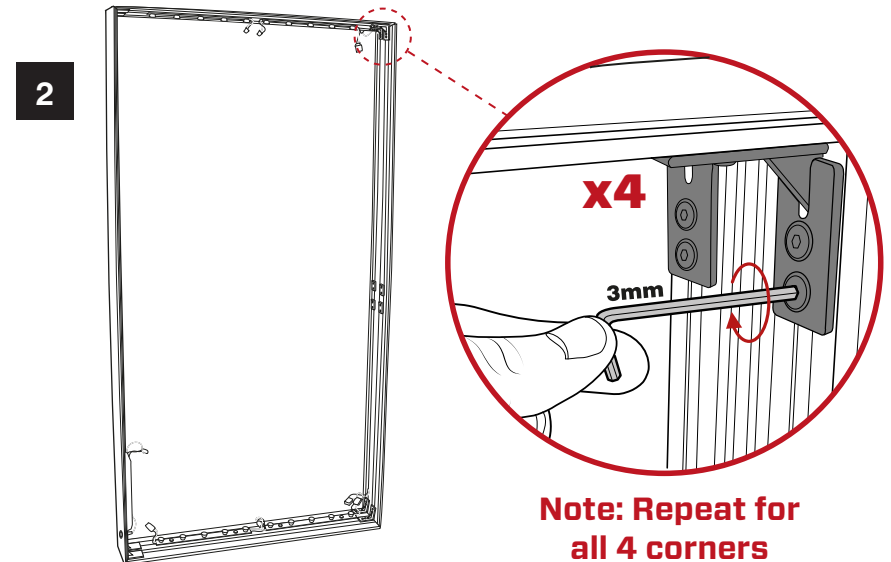
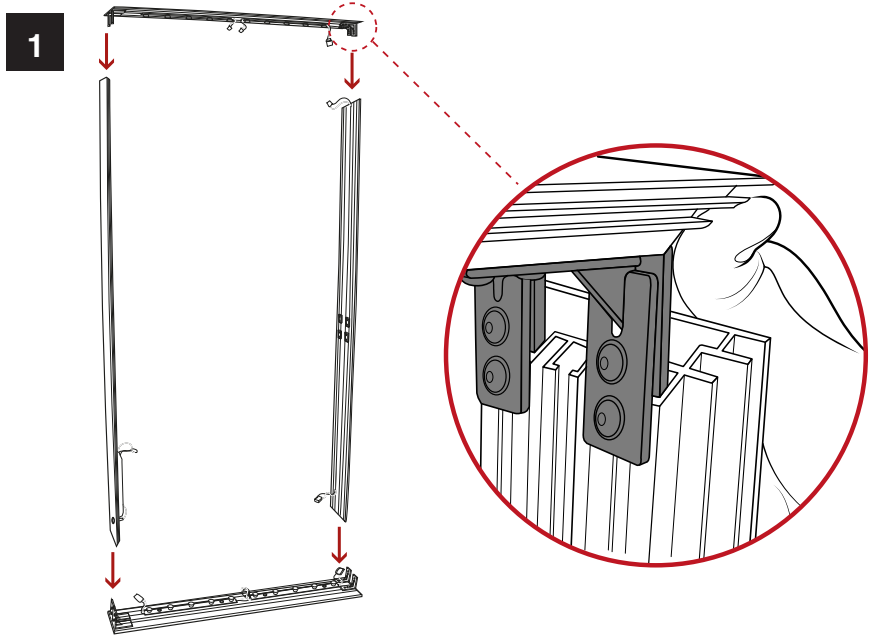
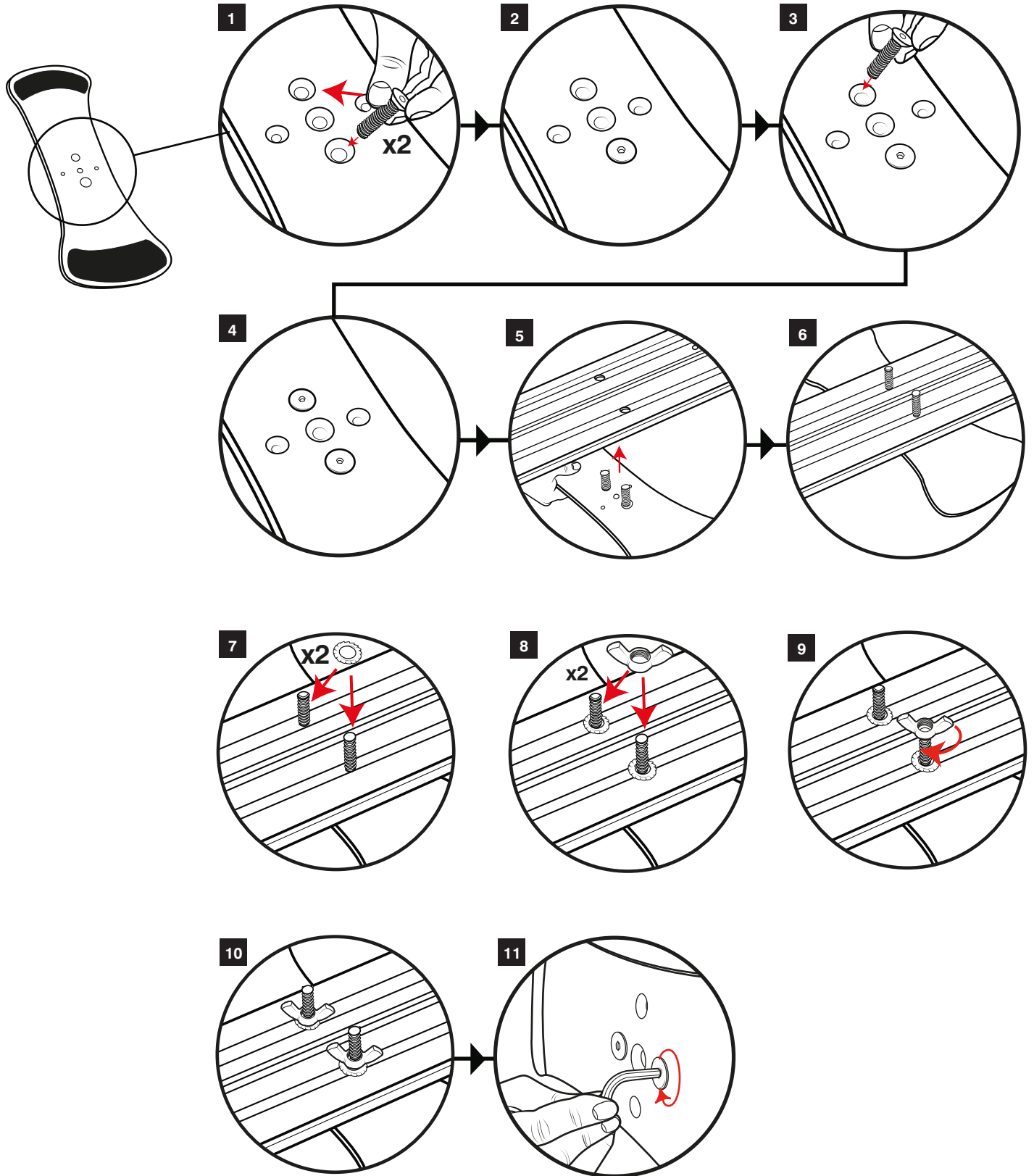


⚠ **DOUBLE CHECK ALL SOCKETS AND CONNECTIONS BEFORE SUPPLYING POWER. MIS-USE COULD DAMAGE LED LIGHTS**

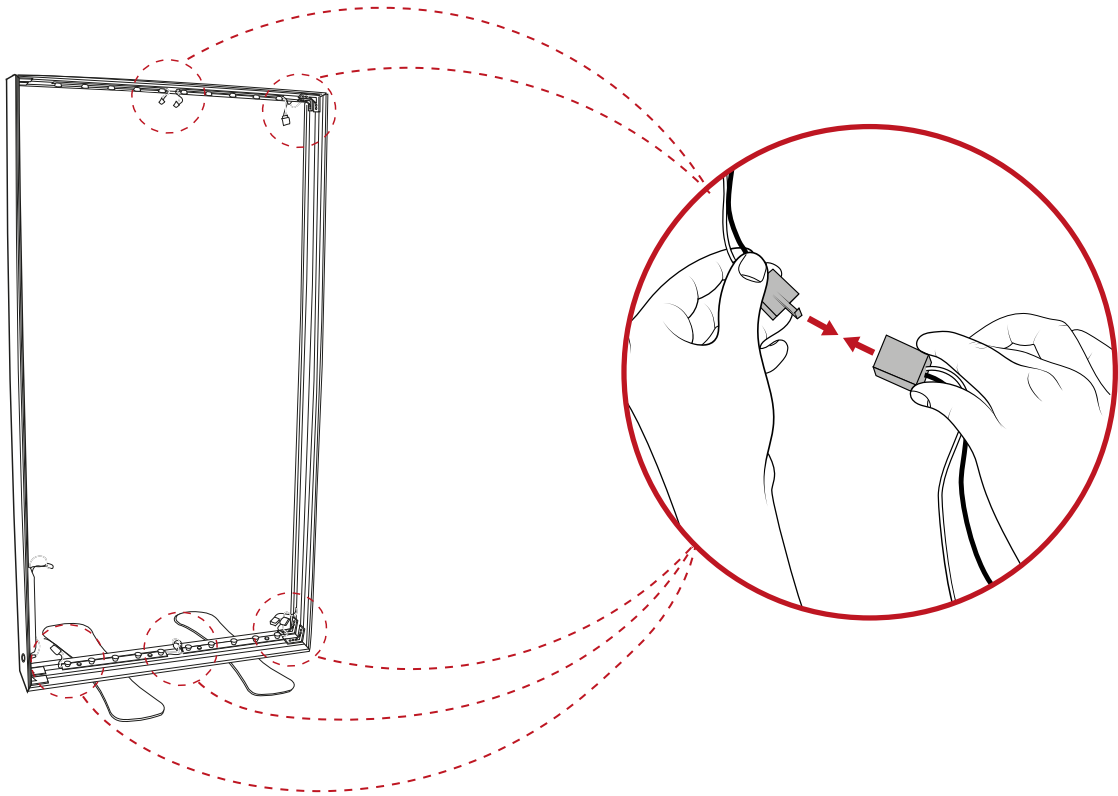


Attaching Feet

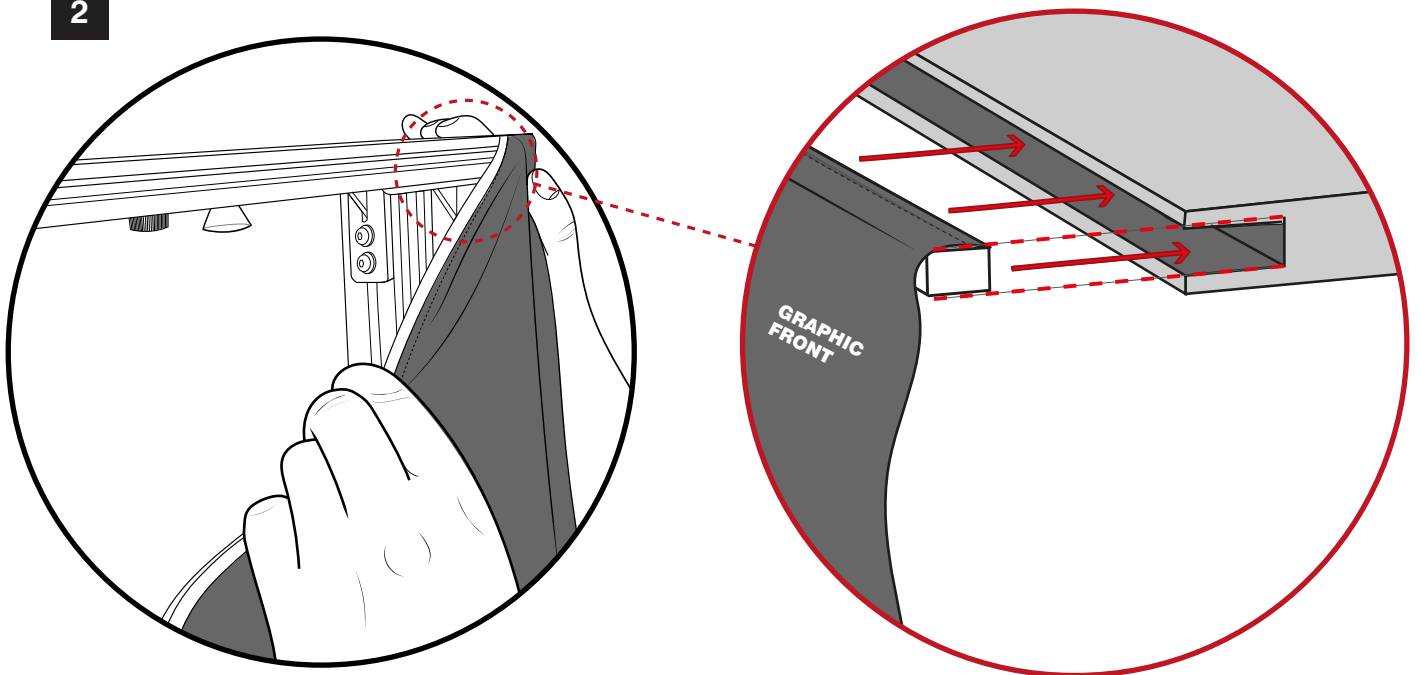


Link up/Attaching Graphics

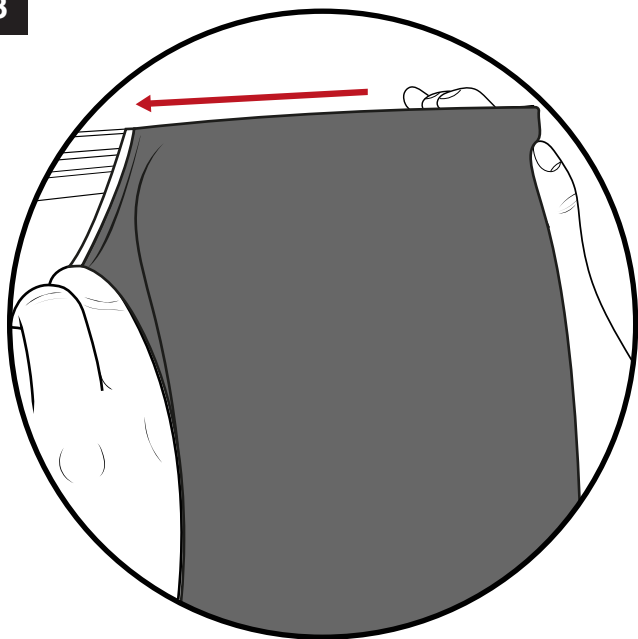
1



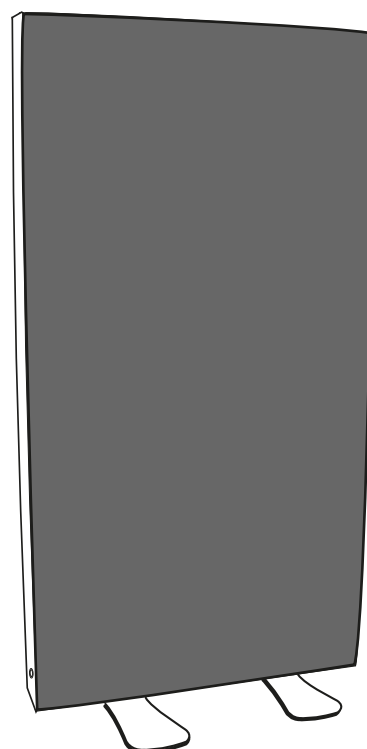
2



3

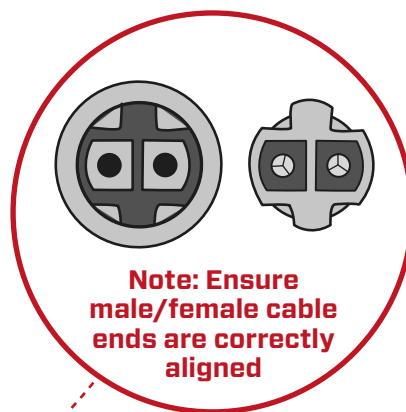
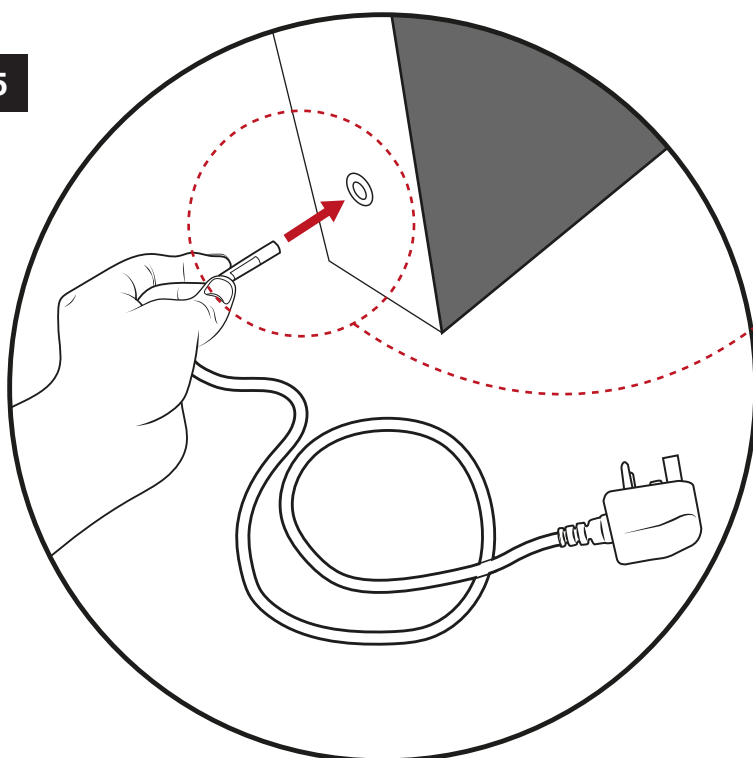


4

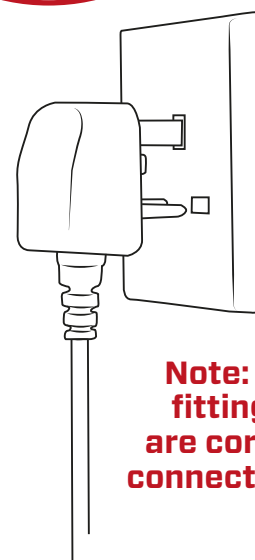


Note: Repeat steps for the back of lightbox

5



Note: Ensure male/female cable ends are correctly aligned



Note: Ensure all fittings/cables are correct before connecting to power