

iPAD TABLET HOLDER LITERATURE UNITS

SPECIFICATIONS

Product codes

LH Literature unit - 91926

RH Literature unit - 91927

Size & Weights

307 (H) x 222 (W) x 52 (D)mm - 1.5kg

Boxed Size & Weights

Post

317 (L) x 230 (W) x 60 (D)mm - 1.65Kg

COMPONENT LIST

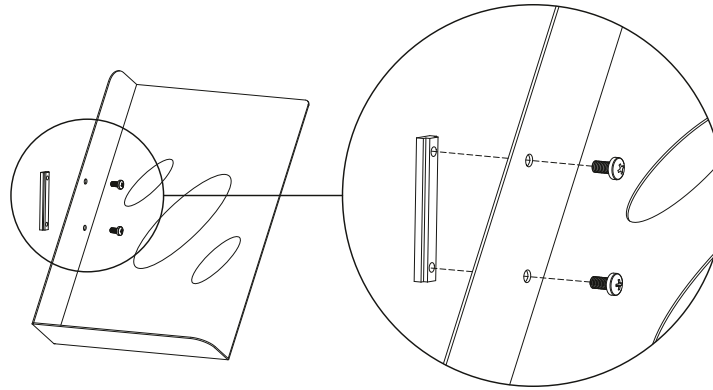
1 x Literature Unit

1 x Attachment bracket

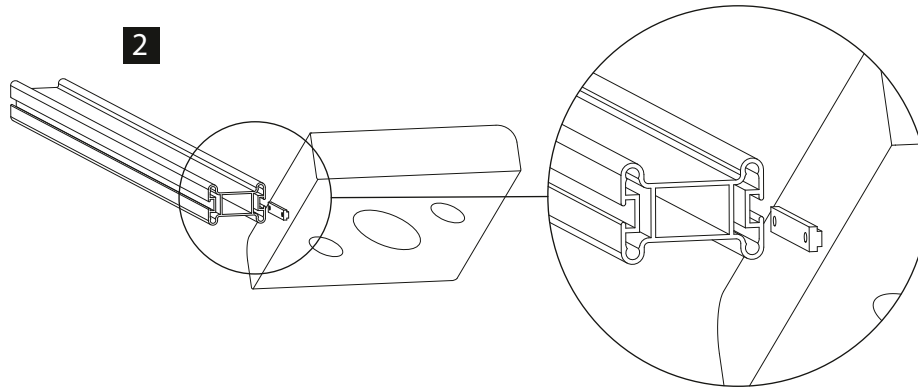
2 x Screw

ASSEMBLY INSTRUCTIONS

1



2



3

