

SIZE: SUPER

SPECIFICATIONS

Product code

60 x 40 Icon - 91930

Graphic Panel Size

60" (H) x 40" (W) (1524mm x 1016mm)

Visual Area

1497mm x 999mm

SYSTEM SIZES

Assembled size

2006 (H) x 1161 (W) x 1000 (D)mm

Boxed size

Frame - 2010 (L) x 1187 (W) x 70 (D)mm

Base - 1171 (L) x 1010 (W) x 220 (D)mm

WEIGHTS

Assembled weight [without water]

43.5Kg

Assembled weight [with water]

151Kg

Boxed weights

Frame - 27.5Kg

Base - 19.5Kg

BASE CAPACITY

108 Litres [1 litre weighs 1kg]

COMPONENT LIST

1 off - Frame

1 off - Base

2 off - M12 nut

2 off - Washer

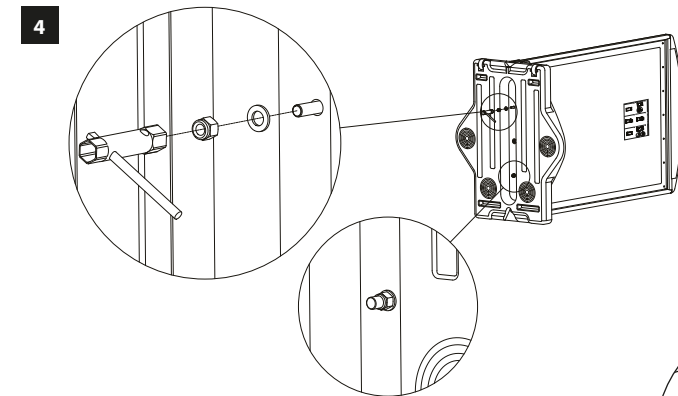
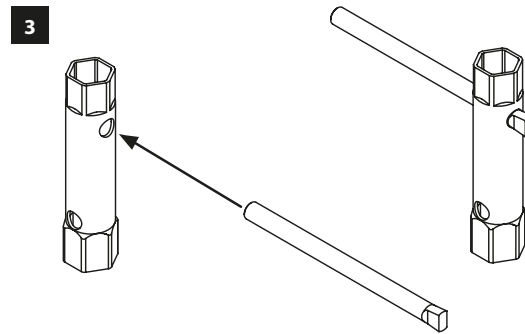
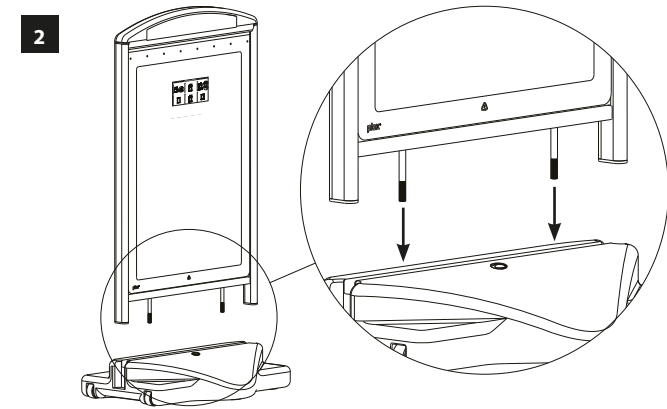
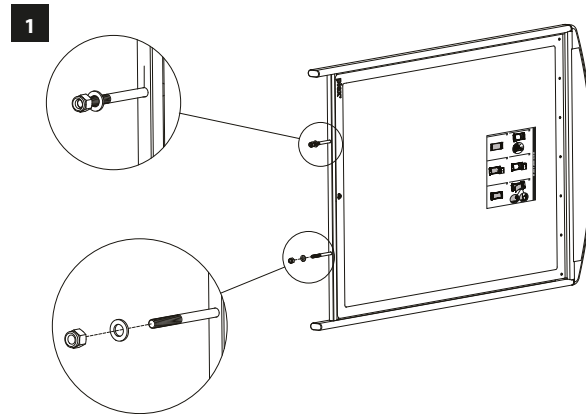
1 off - Box spanner

1 off - Filler cap

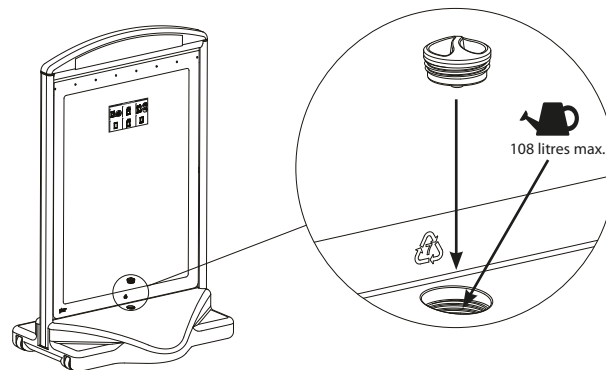
TROLLEY AVAILABLE SEPARATELY

Trolley product code - 91931

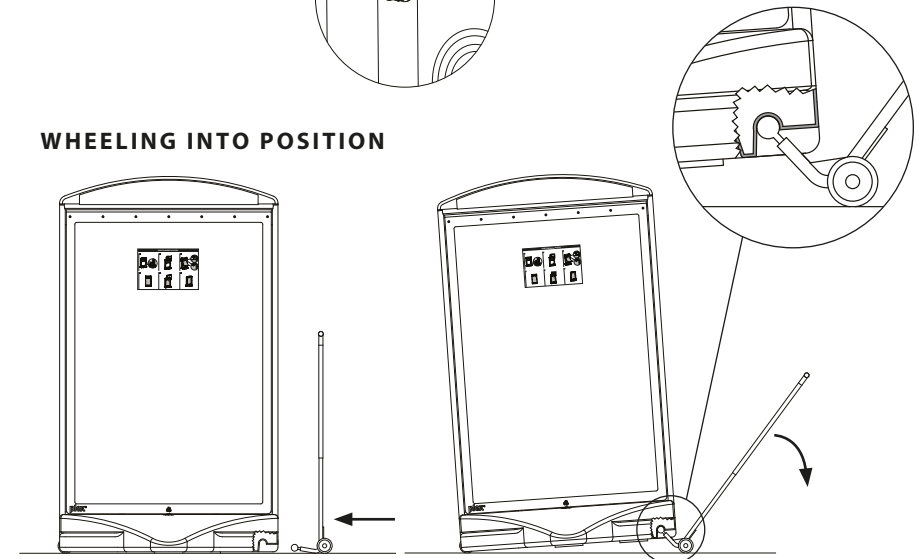
ASSEMBLY INSTRUCTIONS



FILLING WITH WATER



WHEELING INTO POSITION



N.B. 5kg of refined salt is included inside base to prevent the water freezing.

***WHEN FULL, DO NOT MOVE WITHOUT TROLLEY**