

ECONOMY COUNTER



Sizes Available

Dimensions - H 219.5 W 80.5 D 45cm

Header - H 28 x W 68cm

Counter Top Height - 85cm

Approximate Dimensions

Recommended Media

Self Adhesive Vinyl

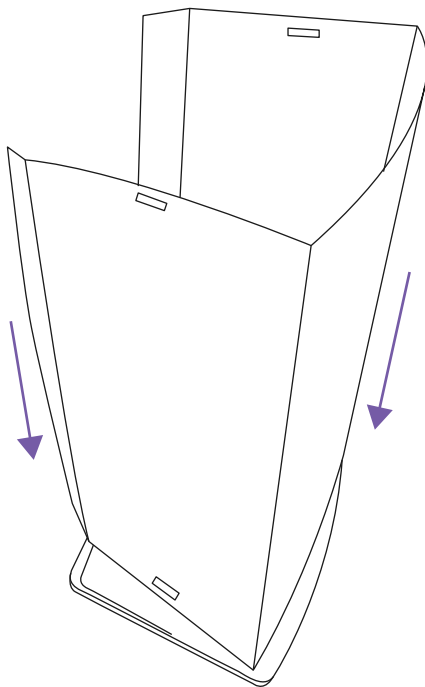
Screenprinting

ASSEMBLY INSTRUCTIONS

Remove all products from packaging.

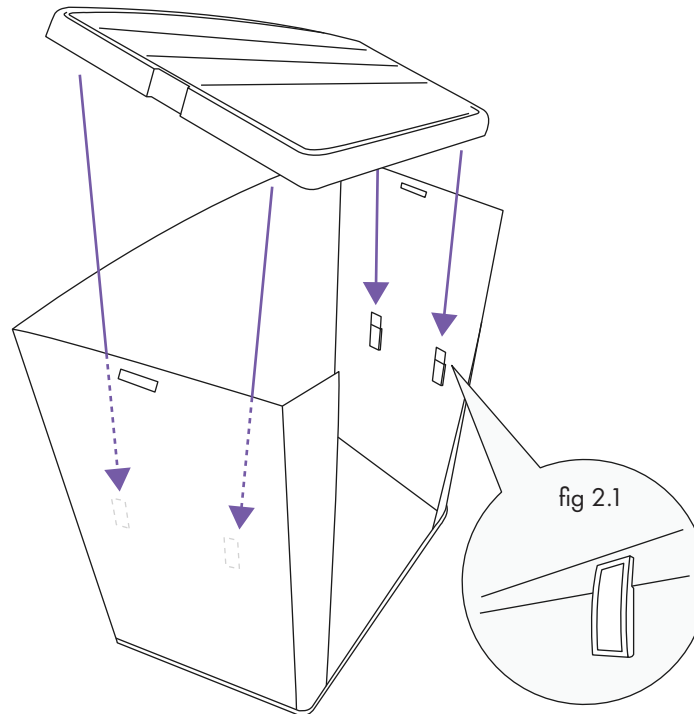
1

Lay base plate (no holes in top) on floor and insert side walls ensuring side clips connect fully.



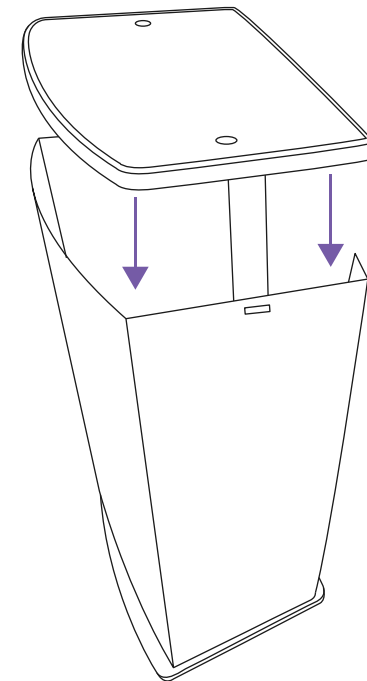
2

Insert shelf, ensuring it clips into brackets.
(fig.2.1)



3

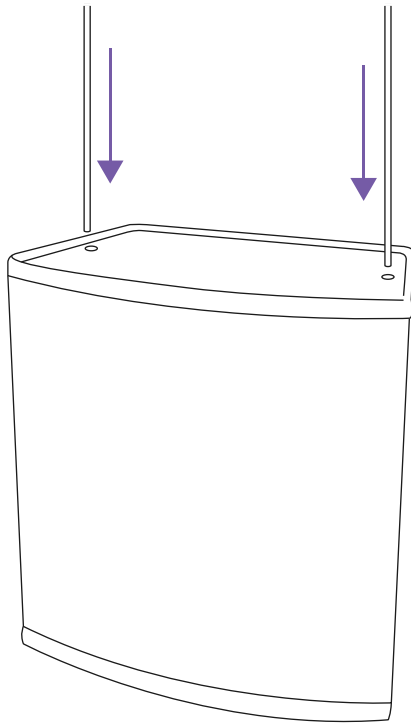
Clip counter top (with holes in top) on, ensuring side clips connect fully.



ASSEMBLY INSTRUCTIONS CONTINUED

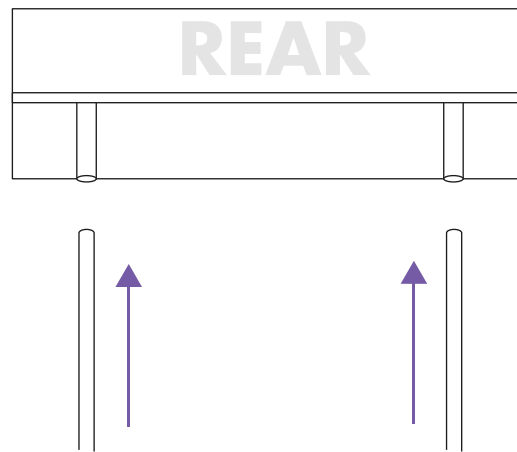
4

Insert poles A through opening on counter top until they sit in the locating position on the middle shelf.



5

Insert poles B through opening on reverse of counter sign.



6

Attach poles A & B together and position counter for use.

