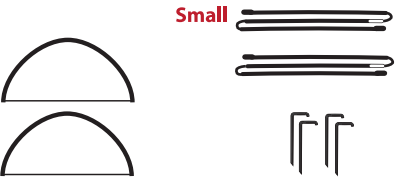
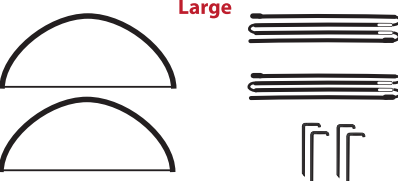
 PARTS (NOT TO SCALE)

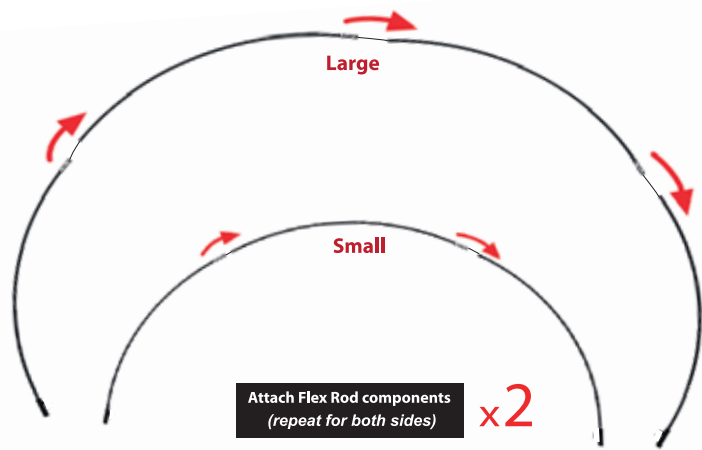
Small



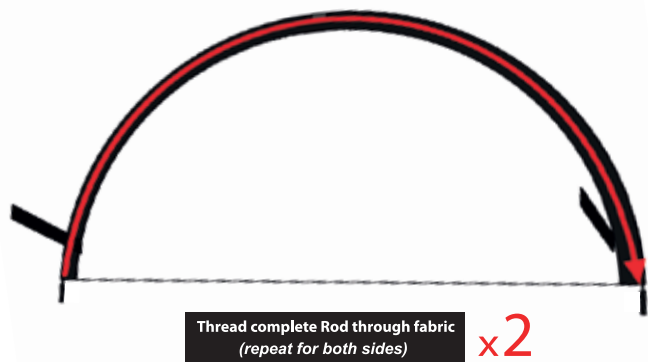
Large



1

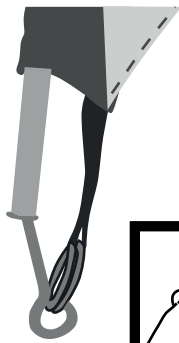


2



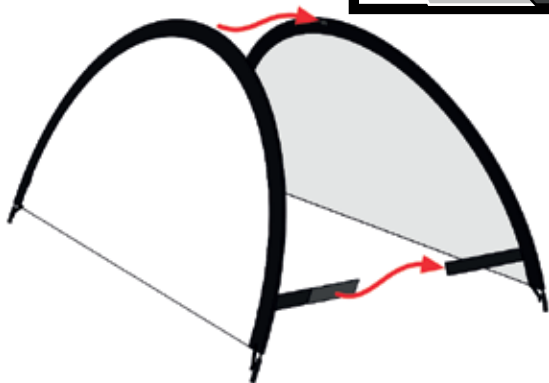
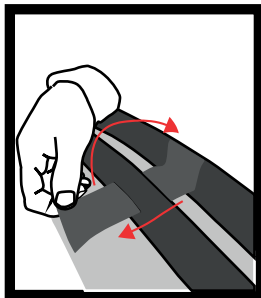
3

Put the graphic pin into the base of the unit



4

Attach both sides of the Stowaway using the velcro tabs/straps



ATTACHING OPTIONAL PEGS

