

Modular Exhibition Counter



PARTS (NOT TO SCALE)

! "# \$ % & ' () * +

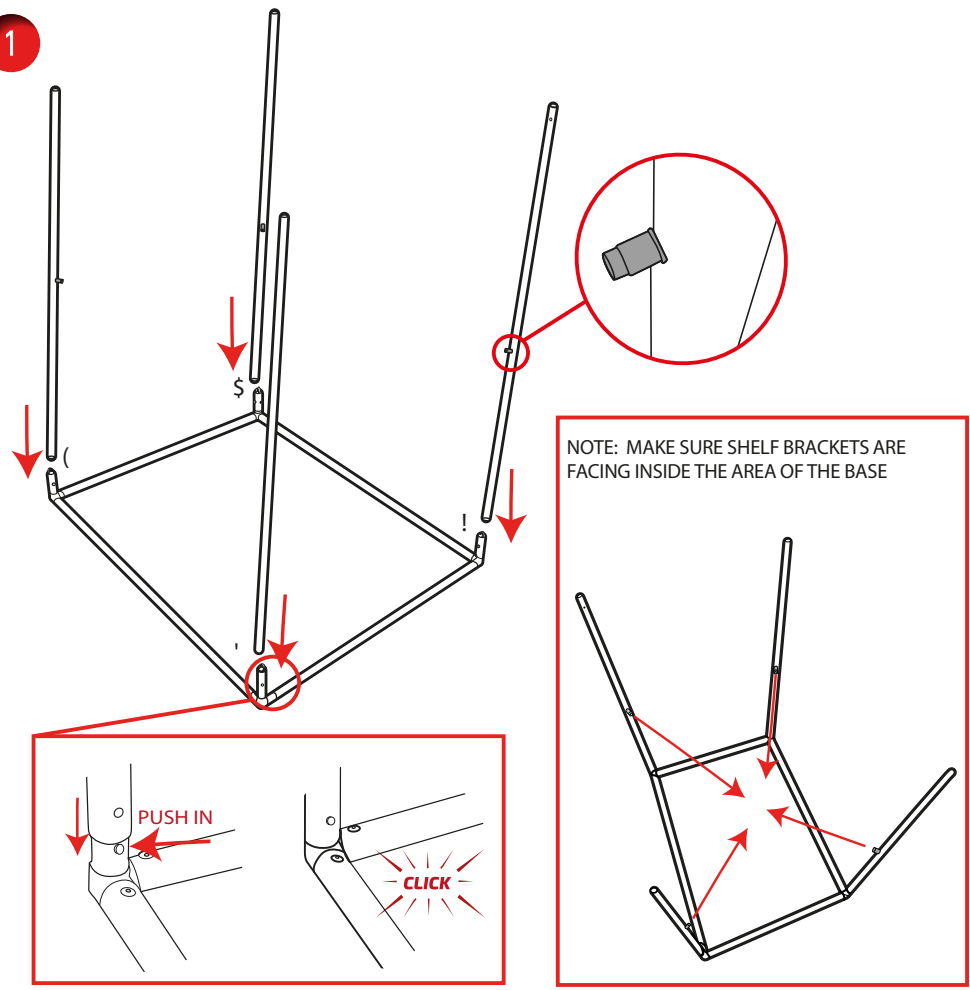
, % ' - . / # 0 ' 1 2 3 % & ' () 4 +

5 6 % 0 7 ' () 8 + 9

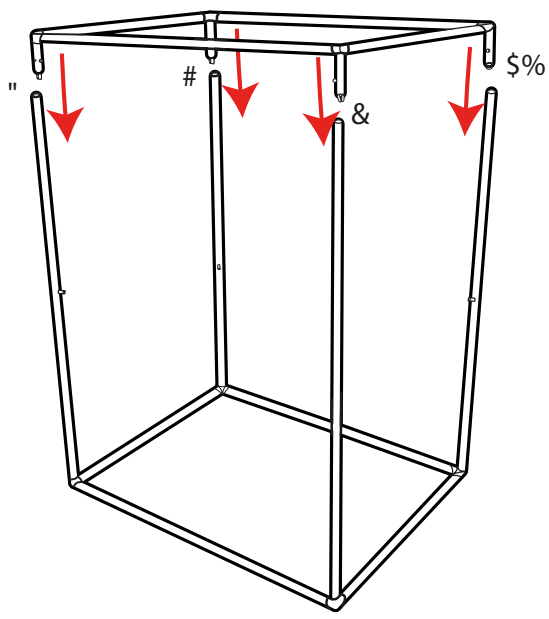
9 ; : . < = # 0 ' > - " #

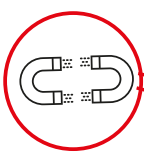
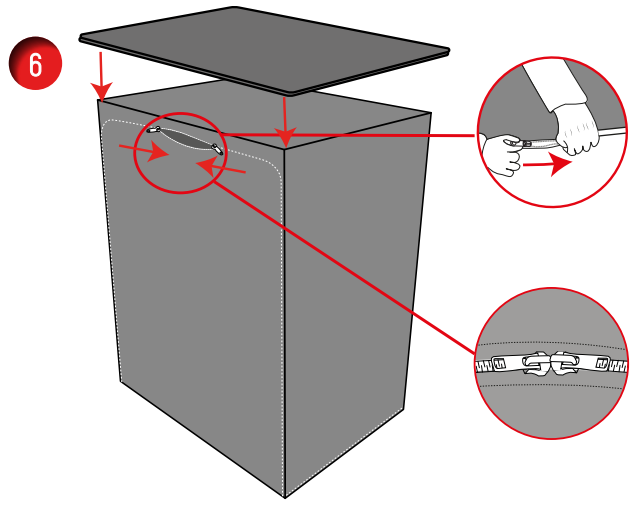
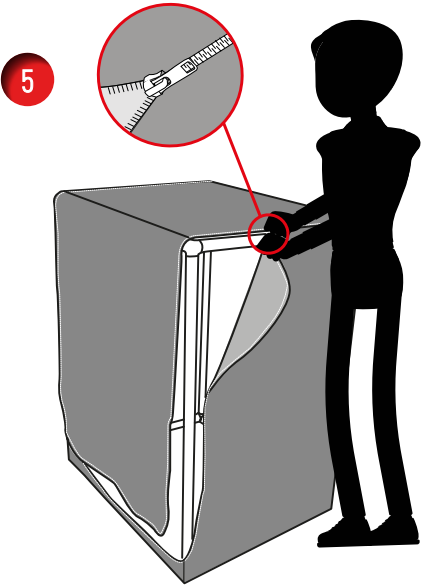
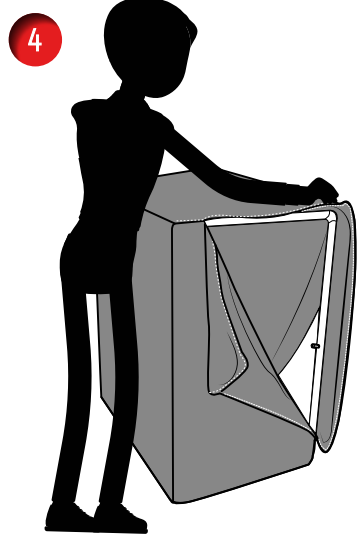
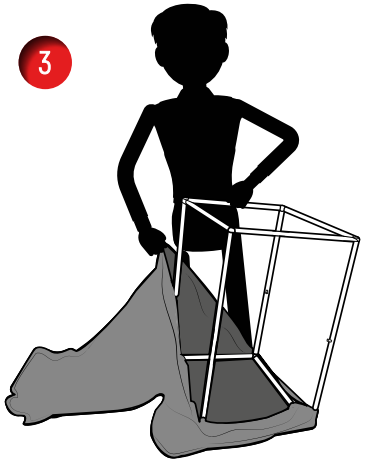
1 # 3 0 % ' 1 < ; ' () 8 +

1

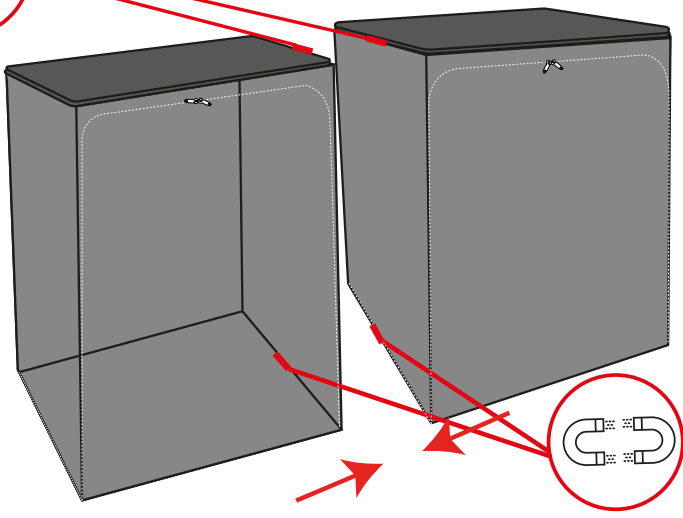


2

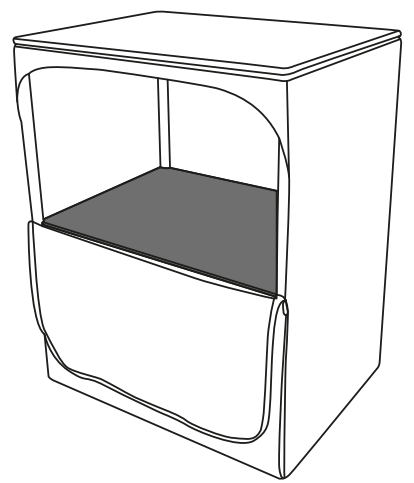




NOTE: THIS STEP IS FOR WHEN 2 COUNTERS ARE IN USE



SHELF POSITION



*shelf optional extra