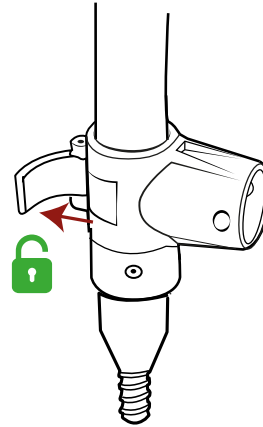
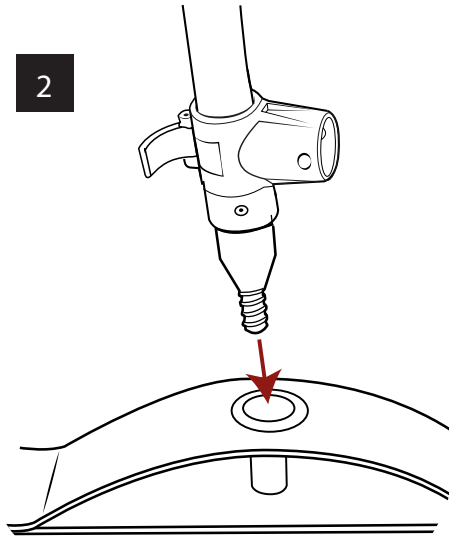


1

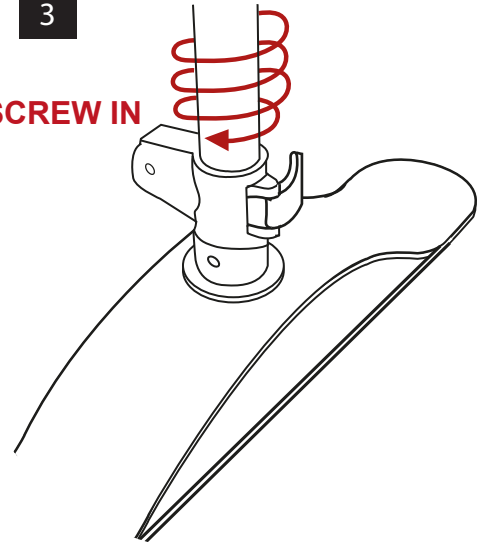


2

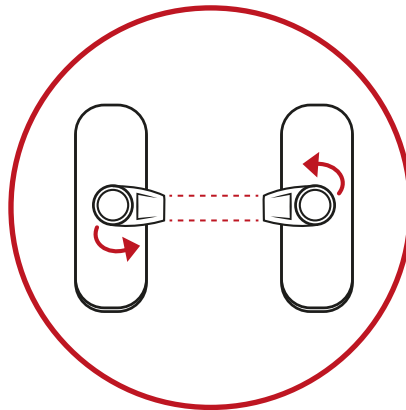
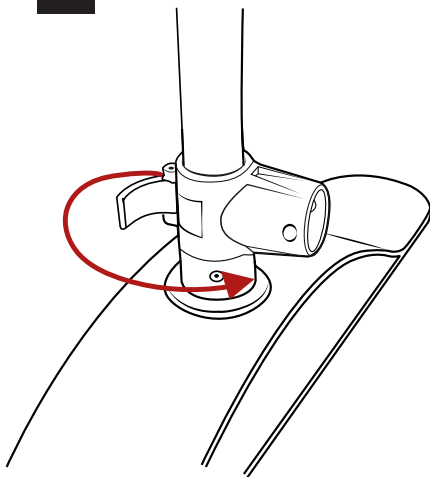


3

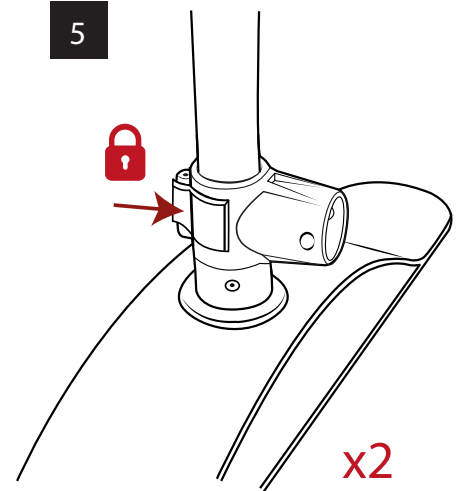
SCREW IN



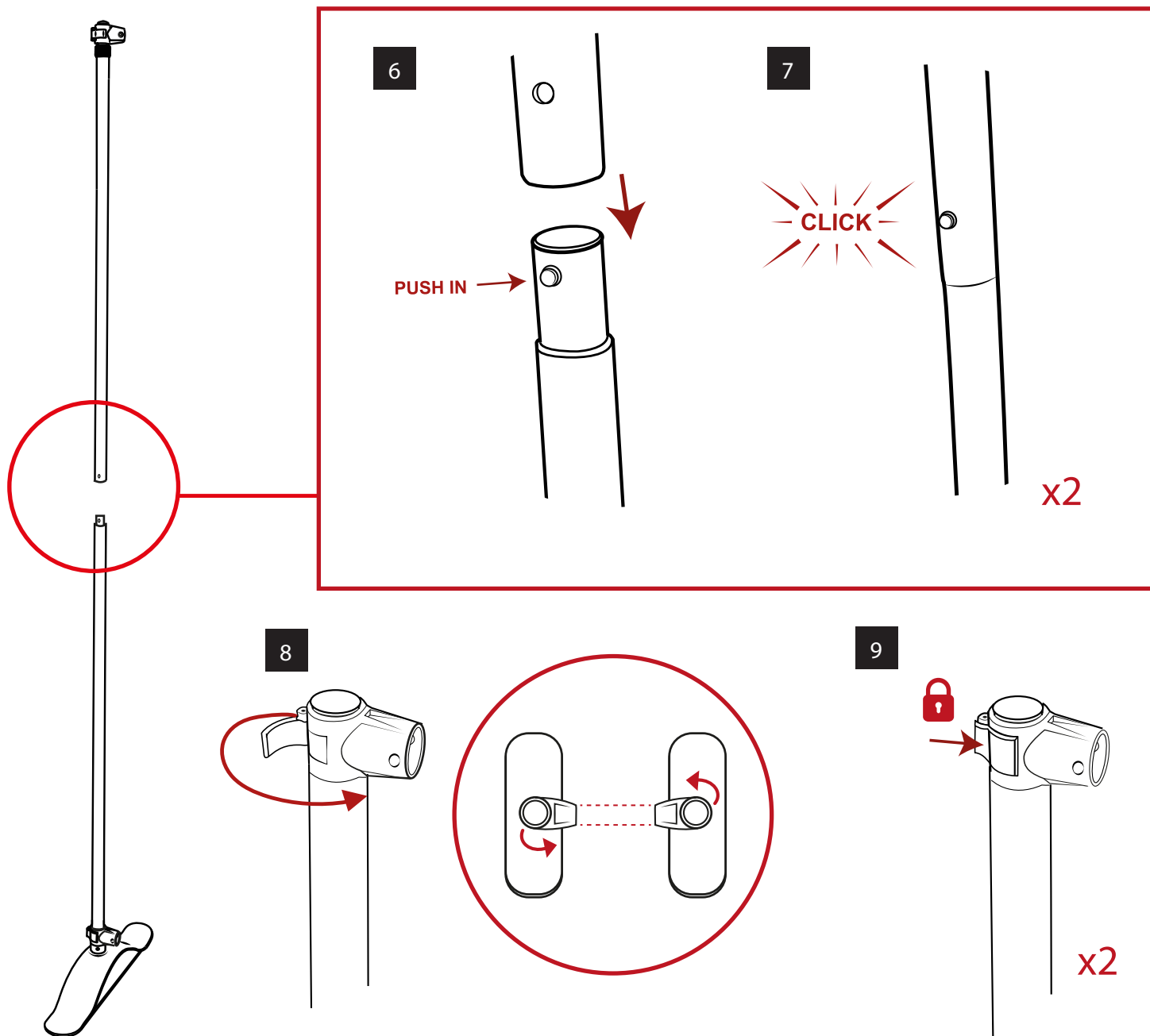
4



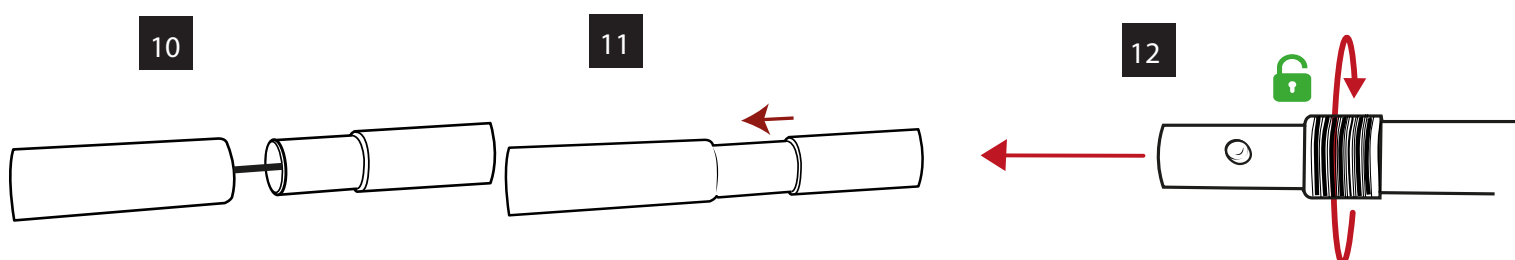
5



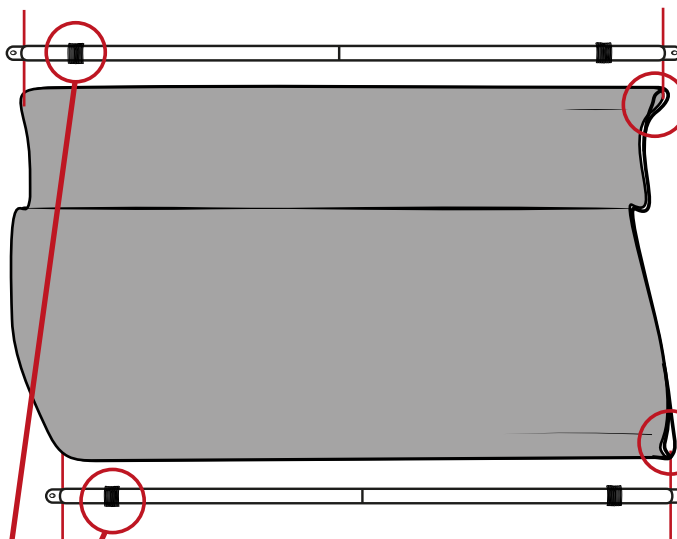
ASSEMBLING VERTICAL POLES



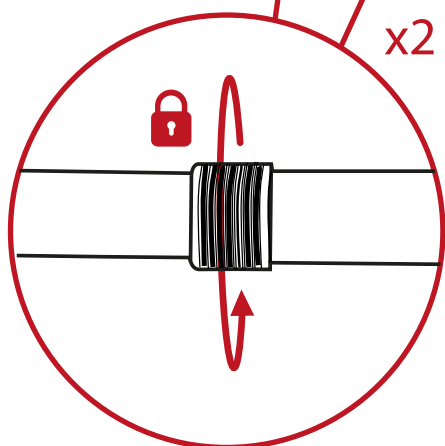
ASSEMBLING HORIZONTAL POLES



INSERTING INTO GRAPHIC

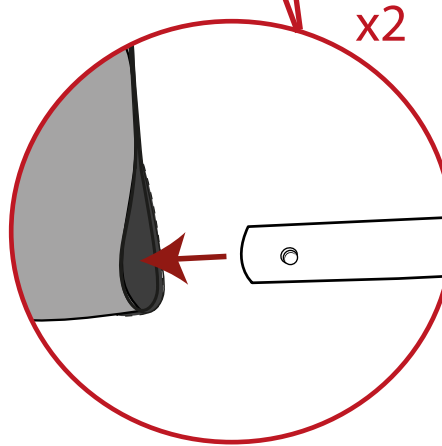


13



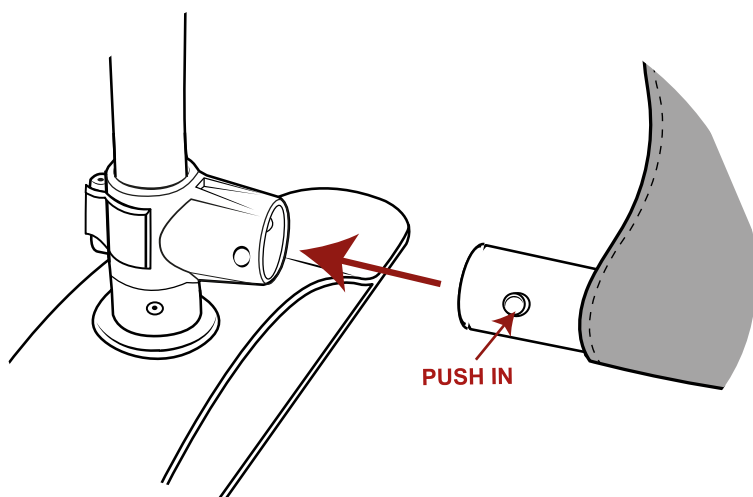
x2

14



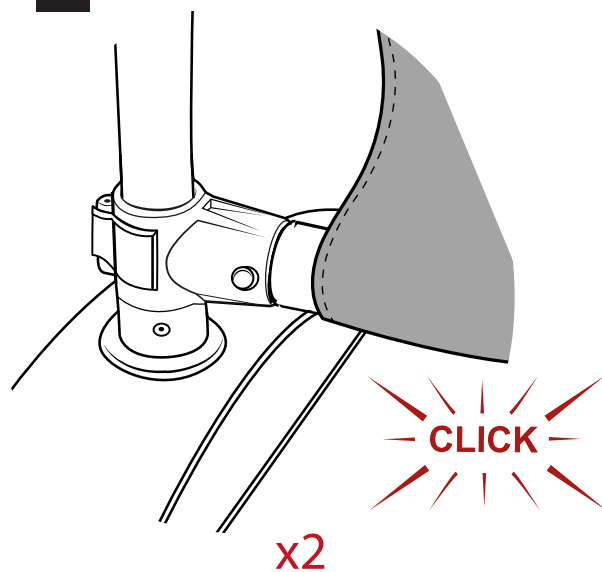
x2

15



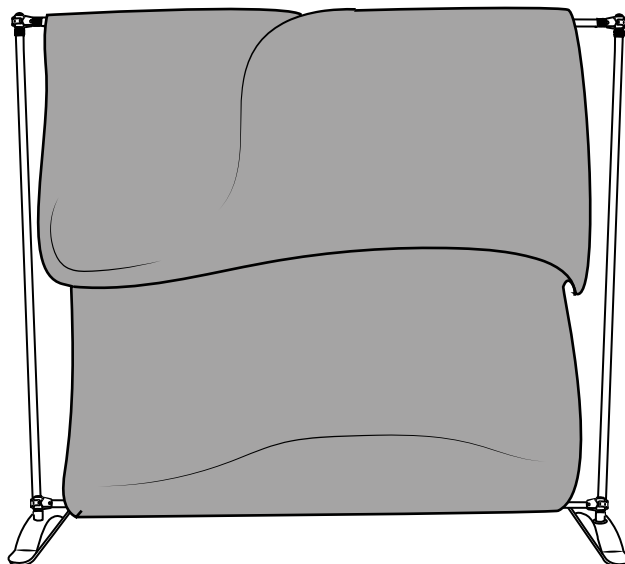
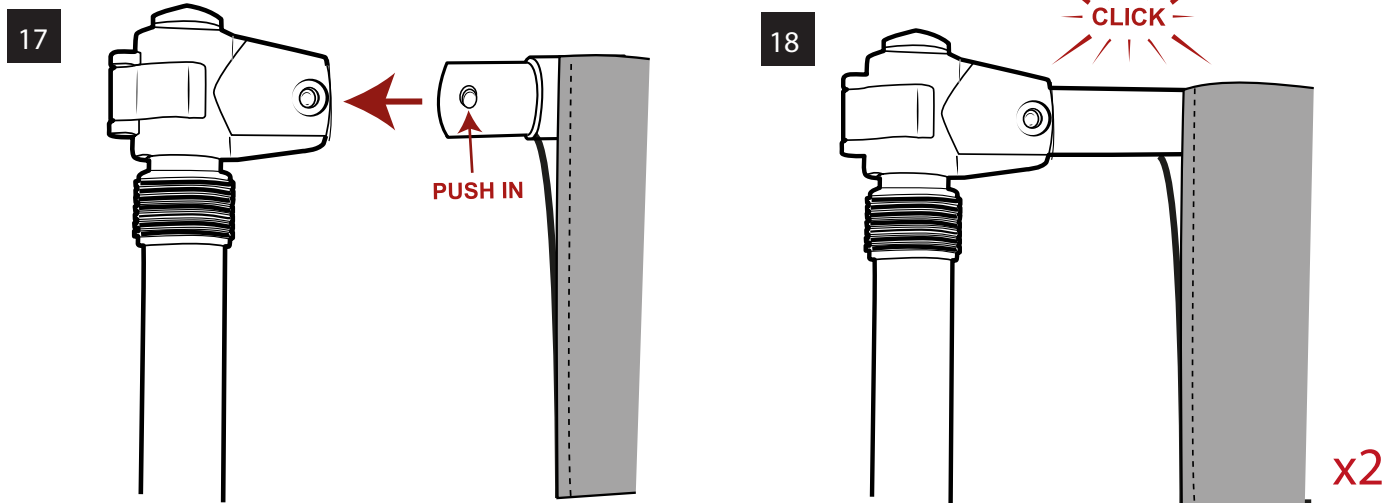
PUSH IN

16



CLICK

x2



ADJUSTING THE FRAME

