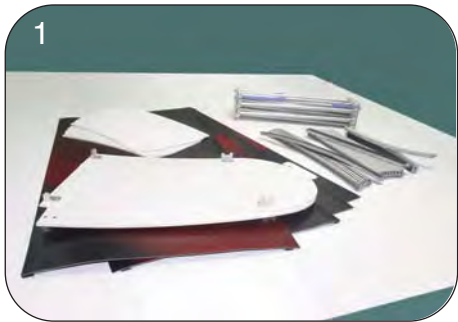


VERY Portable Graphic Display & Exhibition Stand Systems and Banner & Literature Stands
 promoting Brands & Corporations worldwide

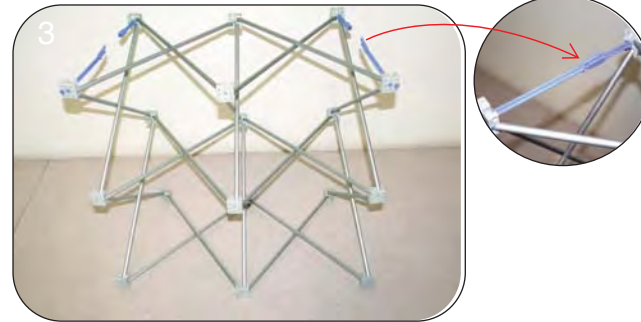
User Guide



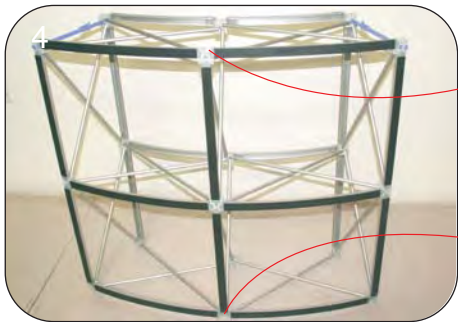
1. EasyCounter™ Components.



2. Stand frame as shown.



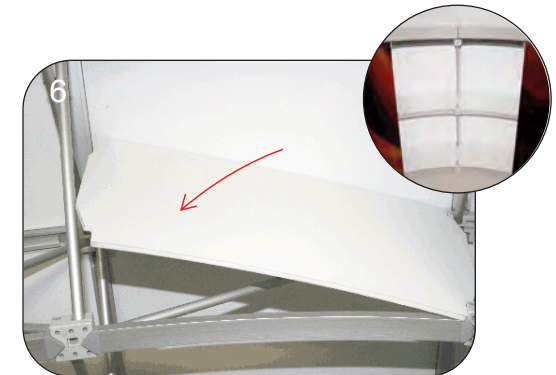
3. Extend frame and secure two locking bars.



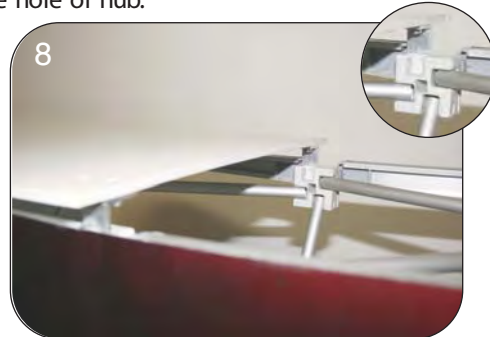
4. Attach magbars to both sides of frame. Note: vertical magbars attach to middle hole of hub, top and bottom horizontal magbars to top hole of hub, and middle magbars to middle hole of hub.



5. Attach graphic panels beginning with the leftmost panel.



6. Insert internal shelves.



7-8. Install counter tops ensuring aluminium brackets insert securely into hubs.



9. Your EasyCounter™ is now ready for display.

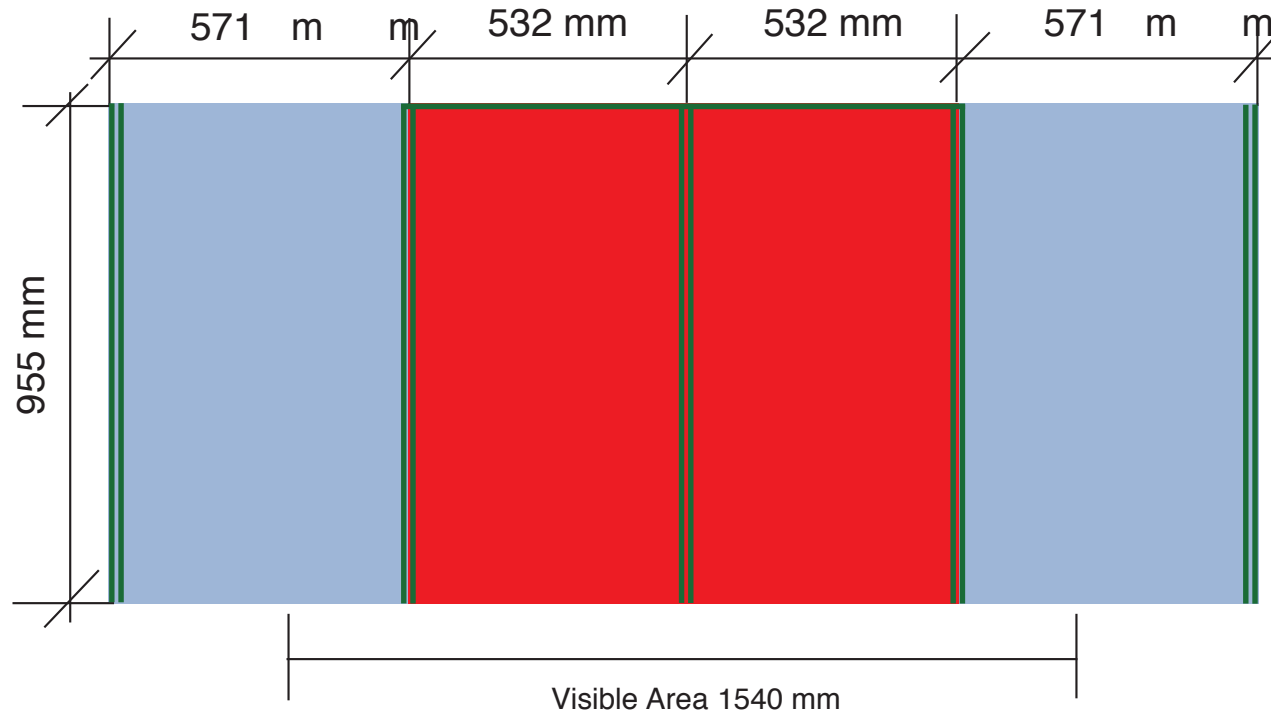


Optional thicker laminate counter top available.

System Components	Curved	Straight
Graphic Panel	- 4	4
Frame	- 1	1
Counter top	- 2	2
Internal Shelf	- 4	4
Outside Curve Magbar	- 6	-
Inside Curve Magbar	- 6	-
Straight Magbar	- 10	22

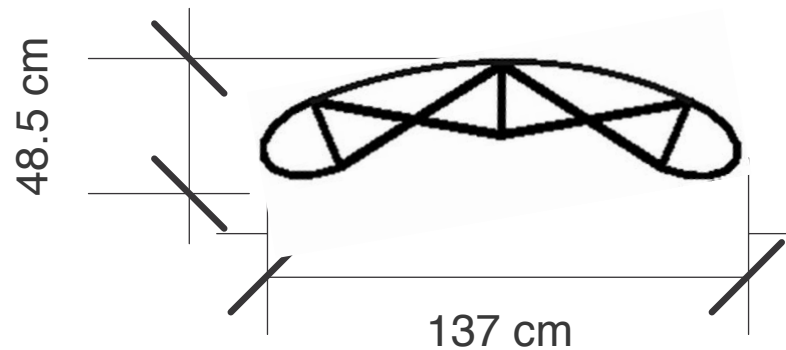
VERY Portable Graphic Display & Exhibition Stand Systems and Banner & Literature Stands
 promoting Brands & Corporations worldwide

Graphic Guide



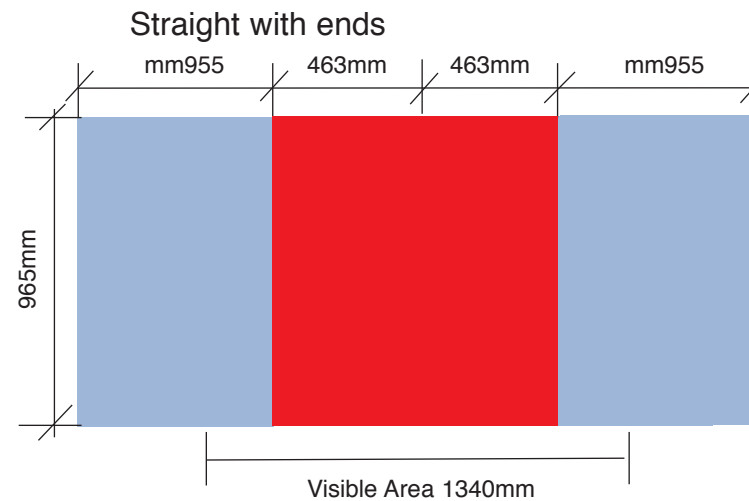
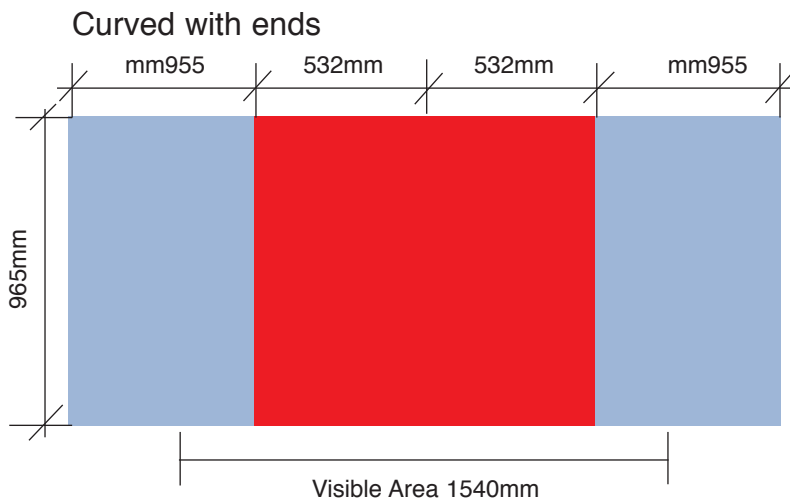
Panel Size 2206 mm x 955 mm

- single magnetic tape
- double magnetic tape, touching for magbar attachment



VERY Portable Graphic Display & Exhibition Stand Systems and Banner & Literature Stands
 promoting Brands & Corporations worldwide

Graphic Guide



4-piece graphics enable transport in our Lite model case

Individual Panel Sizes

Curved System

End Panels
559mm x 965mm

Middle Panels
532mm x 965mm

Straight System

End Panels
559mm x 965mm

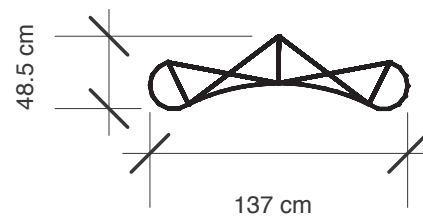
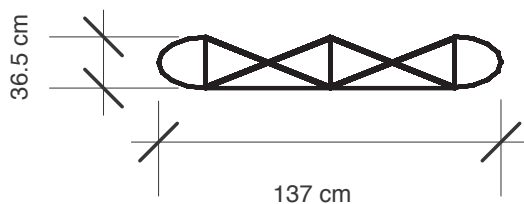
Middle Panels
463mm x 965mm

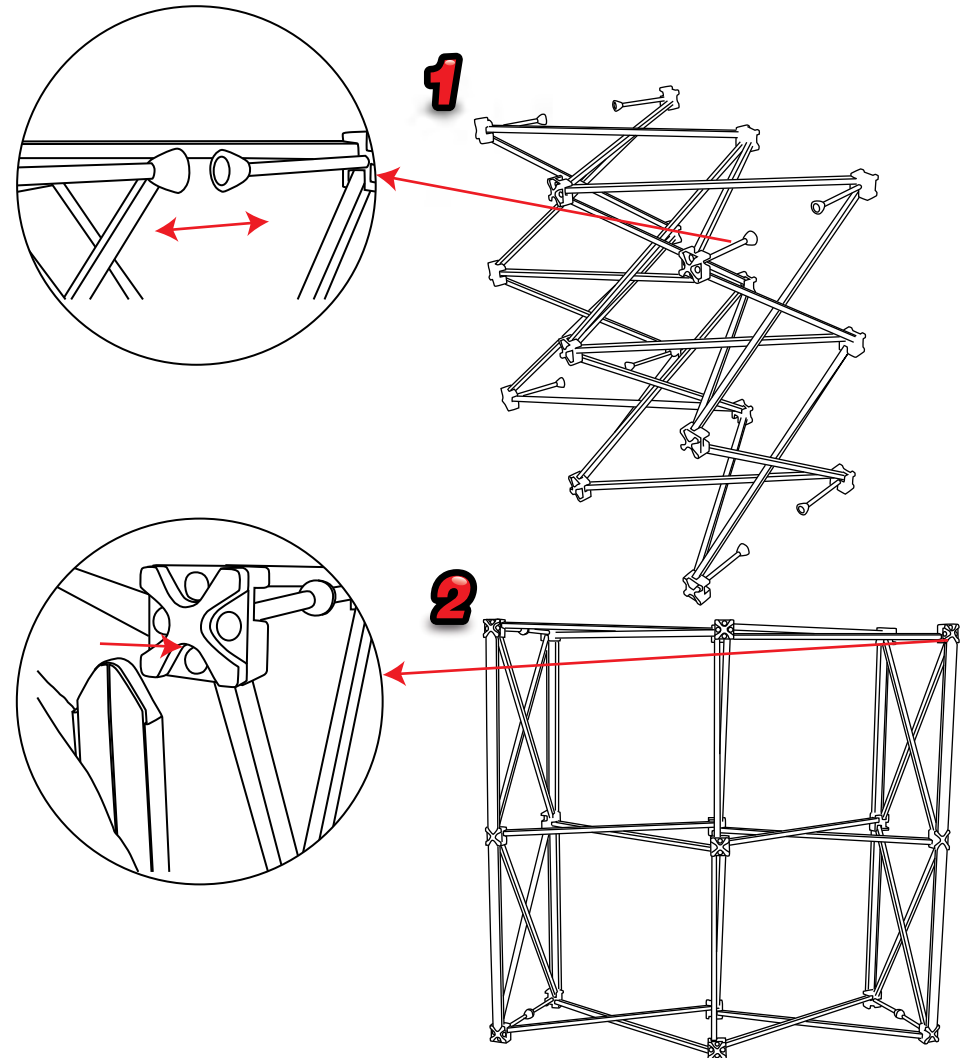
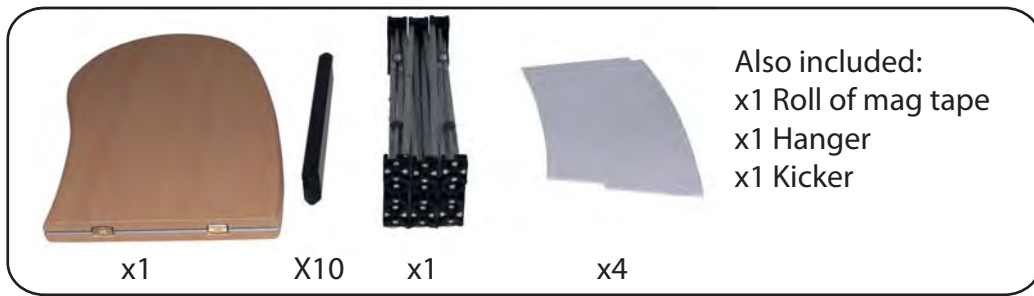
Visible Area (Front View)

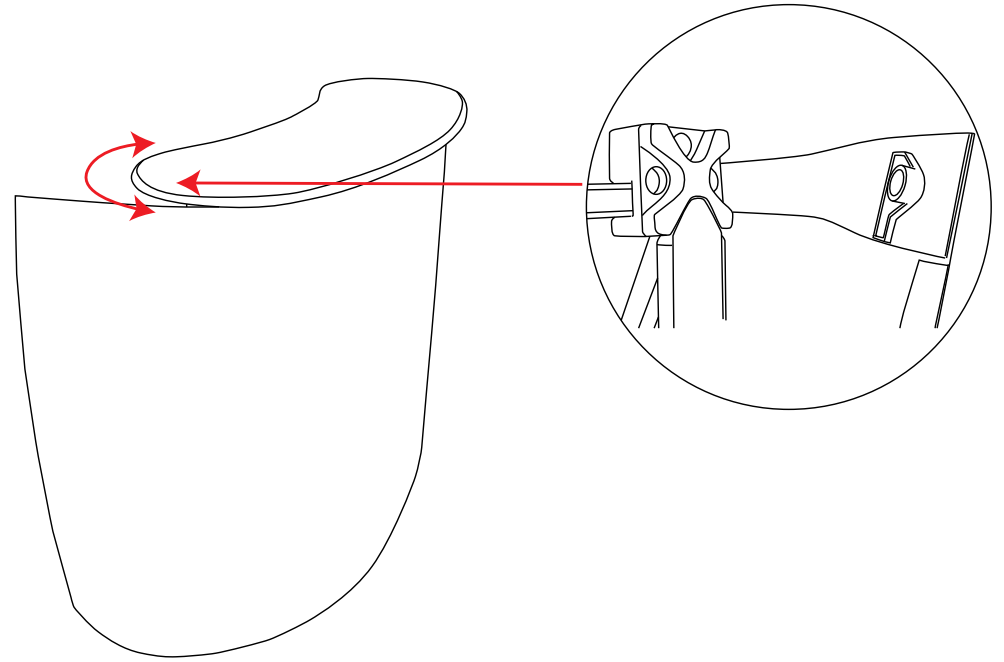
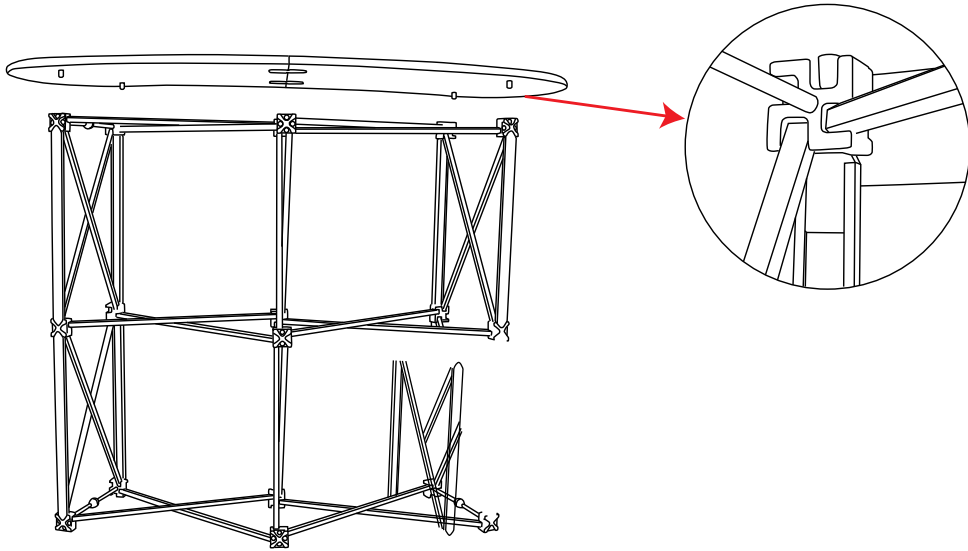
Curved System: 1540mm x 965mm

Straight System: 1340mm x 965mm

When designing for end panels, consider they wrap to the back of the frame. Up to 80% of the width of an end panel may not be visible from directly in front of the stand and designers should remember that. Use TWO panels for the front, for transport in shorter Lite Case (4 panels total.)







Shelf Layout

