

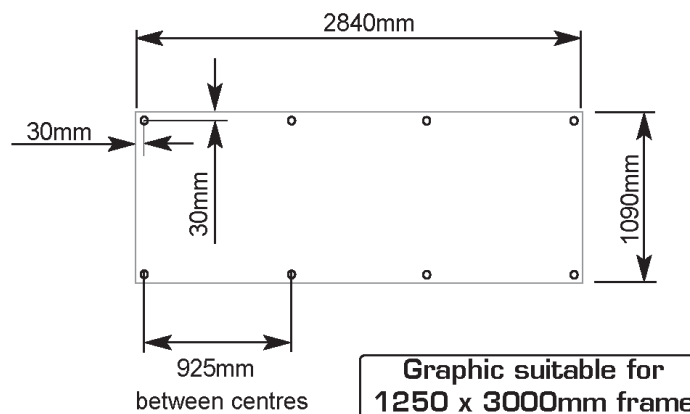
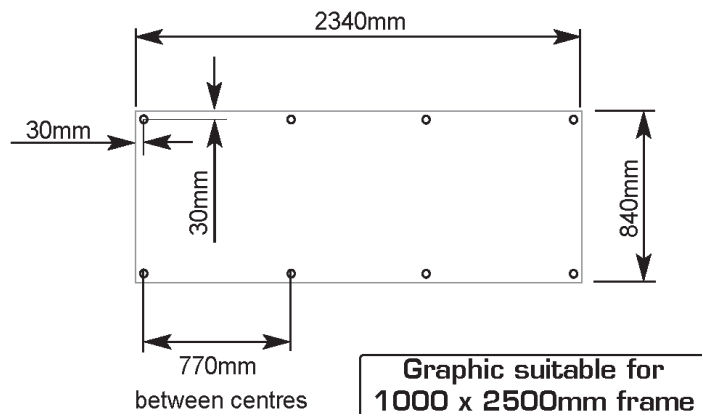


This large format banner 'A' frame is made from lightweight aluminium, ideal for use with PVC eyelet banners.

Available in two sizes, the banner landscape is very easy to use, reusable and is the perfect graphics carrier for venues, events, exhibitions, promotions and indoor or outdoor shows.

- Indoor or outdoor banner system
- Suitable for single or double sided display
- Frame size: 1000mm x 2500mm
- Frame size: 1250mm x 3000mm
- Natural finish 25mm (1") square aluminium tubes with reinforced plastic mouldings
- Easy push-fit assembly, no tools necessary
- Graphics are secured to the frame with elastic bungee cords or cable ties
- Flat packs for easy transportation
- Supplied complete with a carry bag, including a banner protection tube
- Recommended for use in wind conditions up to Beaufort Scale 5

Graphic Dimensions and Eyelet Locations - All dimensions are approximate.



### Hardware Specifications

*Assembled Dimensions (mm)*

**1000 x 2500 frame**

975 (h) x 2500 (w) x 640 (d) approx.

**1250 x 3000 frame**

1200 (h) x 3000 (w) x 795 (d) approx.

**Weight (including carry bag):**

1000 x 2500 frame 8kg approx.

1250 x 3000 frame 9kg approx.

**Visible Graphic Dimensions (mm):**

As specified in Graphic Dimensions diagrams.

**Substrate:**

Lightweight outdoor banner material.

**Eyelets:**

Graphic requires 8 eyelets with 11.5mm recommended minimum internal diameter.