



1 Person Setup



Self-assembly 25 Mins

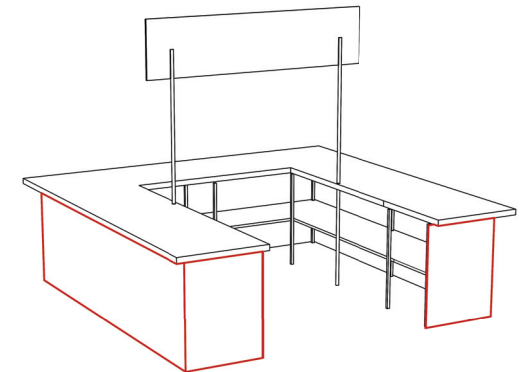
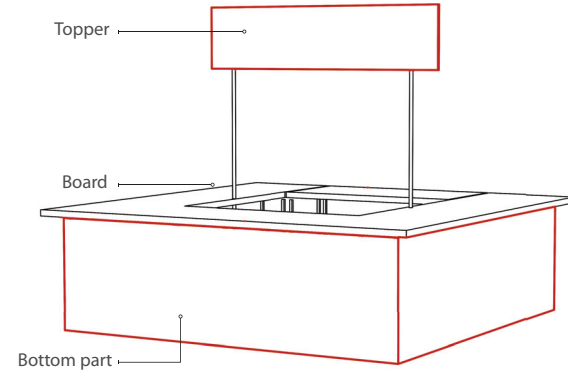
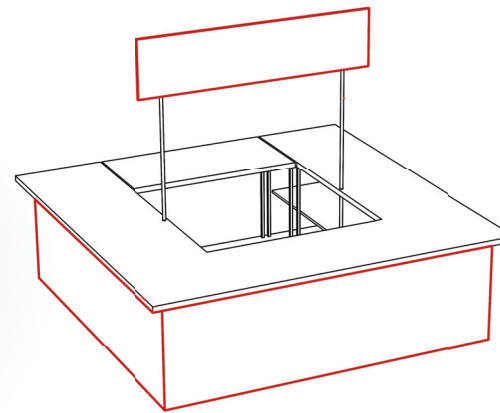
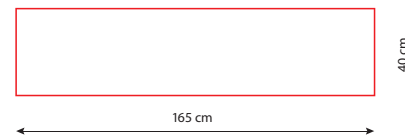


### SPECIFICATION OF SUPPLIED DOCUMENTS FOR PRINT / REQUIREMENTS FOR PRINT PDF

- Specific format (see technical drawing) + 5 mm bleed in all four sides
- Fonts should not be messed up (either converted into curves or part of pdf)
- Pictures and logos saved in CMYK, minimum resolution of pictures 200 dpi in size 1:1
- Trim marks
- Do not use colour profiles when preparing pdf

Print PDF data should be prepared in 1.3 version.  
Data in higher versions of PDF (1.4.) can cause printing problems.

#### SIZES OF GRAPHIC AREAS | Topper



#### SIZES OF GRAPHIC AREAS | Bottom part

